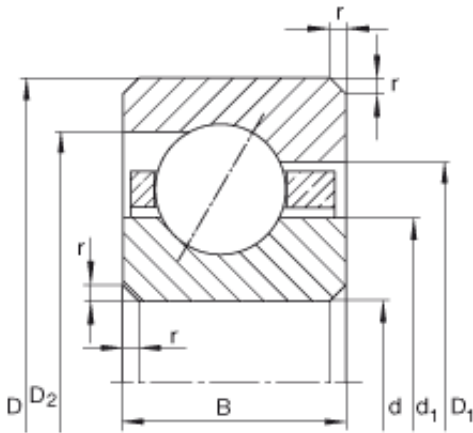




# NTN Bearing Manufacturing

5 1/2 inch x 155,575 mm x 7,938 mm INA  
CSEB055 deep groove ball bearings

Bearing No. CSEB055



CSEB055 Bearing 2D drawings and 3D CAD models

Size	139.7x155.575x7.938 mm
Bore Diameter	139,7 mm
Outer Diameter	155,575 mm
Width	7,938 mm
d	139,7 mm
d	5 1/2 inch
D	155,575 mm
B	7,938 mm
D <sub>1</sub>	149,7 mm
D <sub>2</sub>	151,4 mm
d <sub>1</sub>	145,6 mm
r <sub>min</sub>	1 mm
m	0,19 kg / Weight
C <sub>r</sub>	6700 N / Dynamic load rating (radial)
C <sub>0r</sub>	11100 N / Static load rating (radial)