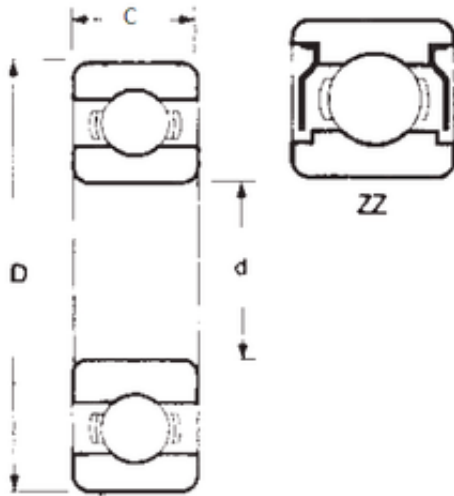




# NTN Bearing Manufacturing



75 mm x 95 mm x 10 mm FBJ 6815ZZ deep groove ball bearings

Bearing No. 6815ZZ

Size	75x95x10 mm
Bore Diameter	75 mm
Outer Diameter	95 mm
Width	10 mm
d	75 mm
D	95 mm
B	10 mm
C	10 mm
Weight	0,15 Kg
Basic dynamic load rating (C)	12,5 kN
Basic static load rating (C0)	10,8 kN

6815ZZ Bearing 2D drawings and 3D CAD models