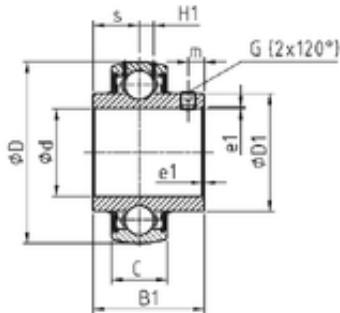




NTN Bearing Manufacturing



UC209-28 Bearing 2D drawings and 3D CAD models

SNR UC209-28 deep groove ball bearings

Bearing No. UC209-28

Size	44.45x85x22 mm
Bore Diameter	44,45 mm
Outer Diameter	85 mm
Width	22 mm
d	44,45 mm
D	85 mm
B1	49,2 mm
C	22 mm
e	1,1 mm
a	5/32 mm
m	8 mm
s	19 mm
D1	57,2 mm
H1	6,8 mm
Thread (G) - 5/16-24UNF	5/1624UNF
Weight	0,7 Kg
Basic dynamic load rating (C)	31,85 kN