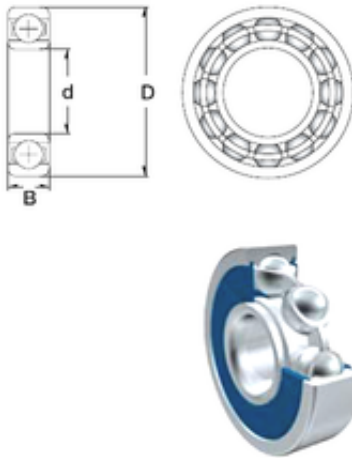




# NTN Bearing Manufacturing



15 mm x 35 mm x 11 mm ZEN S6202-2RS deep groove ball bearings

Bearing No. S6202-2RS

Size	15x35x11 mm
Bore Diameter	15 mm
Outer Diameter	35 mm
Width	11 mm
d	15 mm
D	35 mm
B	11 mm
C	11 mm
Weight	0,045 Kg
Basic dynamic load rating (C)	7,8 kN

S6202-2RS Bearing 2D drawings and 3D CAD models