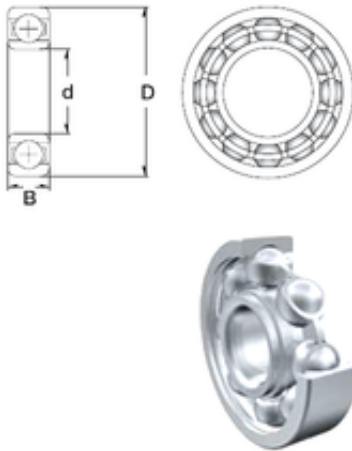




NTN Bearing Manufacturing



3 mm x 6 mm x 2,5 mm ZEN MR63-2Z deep groove ball bearings

Bearing No. MR63-2Z

Size	3x6x2.5 mm
Bore Diameter	3 mm
Outer Diameter	6 mm
Width	2,5 mm
d	3 mm
D	6 mm
B	2,5 mm
C	2,5 mm
Basic dynamic load rating (C)	0,209 kN
Basic static load rating (C0)	0,074 kN

MR63-2Z Bearing 2D drawings and 3D CAD models