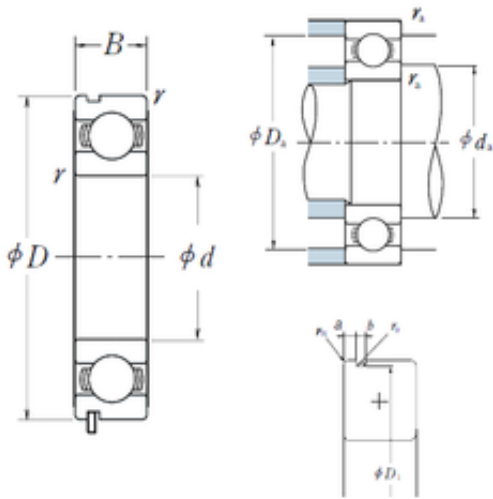




NTN Bearing Manufacturing



75 mm x 95 mm x 10 mm NSK 6815N deep groove ball bearings

Bearing No. 6815N

6815N Bearing 2D drawings and 3D CAD models

Size	75x95x10 mm
Bore Diameter	75 mm
Outer Diameter	95 mm
Width	10 mm
d	75 mm
D	95 mm
B	10 mm
C	10 mm
rn	0,5 mm
a	1,7 mm
b	1,3 mm
r min.	0,6 mm
r0 max.	0,4 mm
D1	92,9 mm
da min.	79 mm
da max	79,5 mm
Da max.	91 mm
ra max.	0,6 mm
Weight	0,149 Kg
Basic dynamic load rating (C)	12,5 kN
Basic static load rating (C0)	13,9 kN
(Grease) Lubrication Speed	6 300 r/min
(Oil) Lubrication Speed	7 500 r/min
SRI	2.88
hidYobi	6815N



NTN Bearing Manufacturing

LangID	1
ro	0.4
D_	95
SREX	0.015
B_	10
da min	79
hidTable	ecat_NSRDGB
Oil rpm	7500
SRE	2.88
mass	0.149
GRS rpm	6300
ra	0.6
SRIX	0.015
D_a	91
SRIN	-0.015
C0	13.9
fo	17.3
SREN	-0.015
DE_	90.556
Prod_Type3	DGBB_SR_N_OT
DA_	5.556
bomp	0
Z_	26
yobi	6815N
C_conv	12500
ALPHA_	0
SDM_	85
r	0.6
KBRG	6101
SBRG	18
DI_	79.444