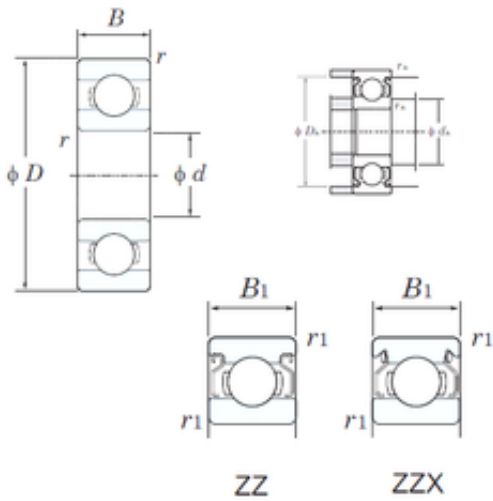




NTN Bearing Manufacturing



3 mm x 8 mm x 4 mm KOYO W693ZZ deep groove ball bearings

Bearing No. W693ZZ

Size	3x8x4 mm
Bore Diameter	3 mm
Outer Diameter	8 mm
Width	4 mm
d	3 mm
D	8 mm
B	4 mm
C	4 mm
r min.	0,15 mm
r1 min.	0,15 mm
da min.	4,2 mm
Da max.	6,8 mm
ra max.	0,15 mm
Weight	0,0006 Kg
Basic dynamic load rating (C)	0,55 kN
Basic static load rating (C0)	0,17 kN
(Grease) Lubrication Speed	64000 r/min

W693ZZ Bearing 2D drawings and 3D CAD models