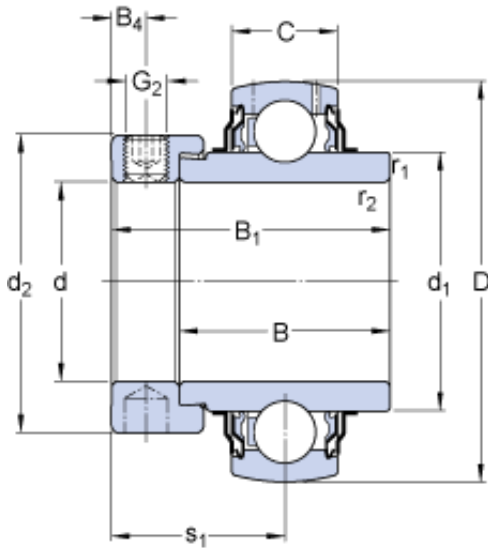




NTN Bearing Manufacturing



25.4 mm x 52 mm x 34.9 mm SKF YEL
205-100-2F deep groove ball bearings

Bearing No. YEL 205-100-2F

Size	52x25.4x44.4 mm
Bore Diameter	52 mm
Outer Diameter	25,4 mm
Width	44,4 mm
d	25.4 mm
D	52 mm
B ₁	44.4 mm
C	15 mm
d ₁	33.74 mm
d ₂	37.4 mm
B	34.9 mm
B ₄	4.75 mm
r _{1,2} - min.	0.6 mm
s ₁	26.9 mm
Basic dynamic load rating - C	14 kN
Basic static load rating - C ₀	7.8 kN
Fatigue load limit - P _u	0.335 kN
Limiting speed with shaft tolerance h6	7000 r/min
Calculation factor - f ₀	14
Mass bearing	0.22 kg
Thread - G ₂ - 1/4-28 UNF	1/428 UNF
Hexagonal key size for grub screw - H	3.175 mm

YEL 205-100-2F Bearing 2D drawings and 3D CAD models



NTN Bearing Manufacturing

Category	Insert Bearings Spherical OD
Inventory	0.0
Manufacturer Name	SKF
Minimum Buy Quantity	N/A
Weight / Kilogram	0.22
EAN	7316576616808
Product Group	M06110
Inner Race Profile	Wide Inner Ring
Outer Race Profile	Spherical
Relubricatable	Yes
Seal Type	M Seal
Mounting Method	Eccentric Collar
Rolling Element	Ball Bearing
Snap Ring	No
Long Description	1" Bore; Wide Inner Ring; Ball Bearing; 1.748" Length Thru Bore; 0.591" Outer Race Width; 2.047" Outside Diameter; Relubricatable; M Seal Seal; Eccentric Collar Mounting Method
Inch - Metric	Inch
Other Features	Single Row Standard Duty With Set Screw Has Flinger
Category	Insert Bearings
UNSPSC	31171536
Harmonized Tariff Code	8482.10.50.00
Noun	Bearing
Keyword String	Insert
Manufacturer URL	http://www.skf.com
Manufacturer Item Number	YEL 205-100-2F
Weight / LBS	0.485
Length Thru Bore	1.748 Inch 44.399



NTN Bearing Manufacturing

	Millimeter
Bore	1 Inch 25.4 Millimeter
Outer Race Width	0.591 Inch 15.011 Millimeter
Outside Diameter	2.047 Inch 51.994 Millimeter
bore diameter:	1.0000 in
radial dynamic load capacity:	14 kN
outside diameter:	52 mm
radial static load capacity:	7.8 kN
outer ring width:	15 mm
bearing material:	Stainless Steel
inner ring width:	44.4 mm
finish/coating:	Zinc Plated
bore type:	Round
maximum rpm:	7000 RPM
locking device:	Eccentric Collar
seal type:	Contact with Flinger
operating temperature range:	-40 to +210 ° F
series:	YEL2
B_1	44.4 mm
d_1	33.74 mm
d_2	37.4 mm
B_4	4.75 mm
$r_{1,2}$ min.	0.6 mm
s_1	26.9 mm
Basic dynamic load rating C	14 kN
Basic static load rating C_0	7.8 kN
Fatigue load limit P_u	0.335 kN
Limiting speed ¹⁾	7000 r/min
Calculation factor f_0	14



NTN Bearing Manufacturing

Mass complete bearing	0.24 kg
Thread grub screw G ₂	1/4-28 UNF
Hexagonal key size for grub screw N	3.175 mm
Recommended tightening torque for grub screw	4 N · m