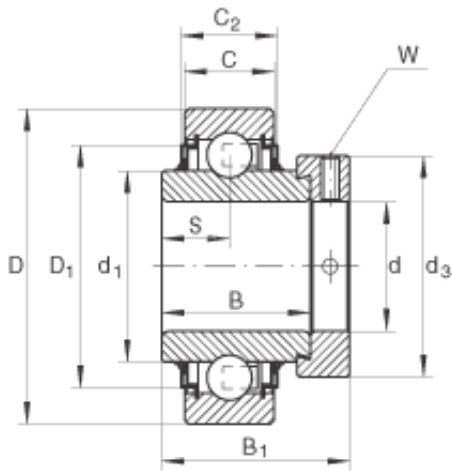




# NTN Bearing Manufacturing



30 mm x 62 mm x 36,5 mm INA E30-KLL deep groove ball bearings

Bearing No. E30-KLL

E30-KLL Bearing 2D drawings and 3D CAD models

Size	30x62x48.5 mm
Bore Diameter	30 mm
Outer Diameter	62 mm
Width	48,5 mm
d	30 mm
D	62 mm
B <sub>1</sub>	48,5 mm
B	36,5 mm
C	18 mm
C <sub>2</sub>	20,6 mm
D <sub>1</sub>	52 mm
d <sub>1</sub>	40,2 mm
d <sub>3 max</sub>	44 mm
S	18,3 mm
W	4 mm
m	0,39 kg / Weight
C <sub>r</sub>	20700 N / Dynamic load rating (radial)
C <sub>0r</sub>	11300 N / Static load rating (radial)
Category	Insert Bearings Cylindrical OD
Inventory	0.0
Manufacturer Name	SCHAEFFLER GROUP
Minimum Buy Quantity	N/A
UNSPSC	31171536



## NTN Bearing Manufacturing

Weight / Kilogram	0.38
Product Group	M06110
Inner Race Profile	Wide Inner Ring
Outer Race Profile	Cylindrical
Mounting Method	Eccentric Collar
Rolling Element	Ball Bearing
Relubricatable	No
Seal Type	Double Non Contact Labyrinth
Snap Ring	No
Inch - Metric	Metric
Long Description	30MM Bore; Wide Inner Ring; 18MM Outer Race Width; 62MM Outside Diameter; Eccentric Collar; Ball Bearing; 48.4MM Length Thru Bore; Not Relubricatable; Double Non Contact Labyrinth Seal; No Snap Ring
Other Features	Single Row   With Set Screw   Conrad   Non Filling Slot   Metric
Bore	1.181 Inch   30 Millimeter
Length Thru Bore	1.906 Inch   48.4 Millimeter
Outside Diameter	2.441 Inch   62 Millimeter
Outer Race Width	0.709 Inch   18 Millimeter