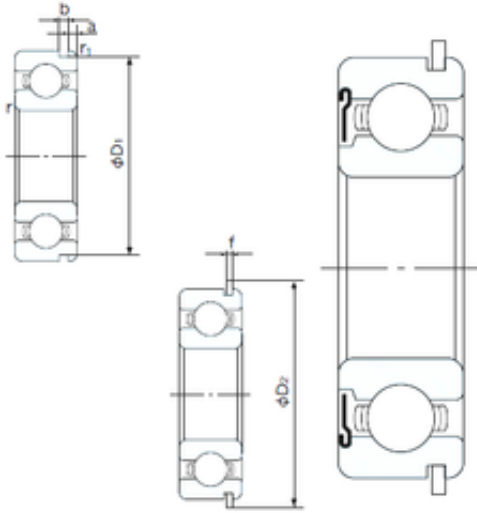




NTN Bearing Manufacturing



100 mm x 125 mm x 13 mm NACHI 6820ZNR
deep groove ball bearings

Bearing No. 6820ZNR

6820ZNR Bearing 2D drawings and 3D CAD models

Size	100x125x13 mm
Bore Diameter	100 mm
Outer Diameter	125 mm
Width	13 mm
d	100 mm
D	125 mm
B	13 mm
C	13 mm
a	2.1 mm
b	1.3 mm
f	1.12 mm
r min.	1 mm
r1 min.	0.5 mm
D1	122.6 mm
D2	130.7 mm
Weight	0.320 Kg
Basic dynamic load rating (C)	19,6 kN
Basic static load rating (C0)	21,2 kN
(Grease) Lubrication Speed	4600 r/min
Enclosure	Single Shield with Snap Ring
Bore Type	Cylindrical Bore
Configuration	Single Row
Bore Size	100 mm
Outside Diameter	125 mm
Width	13 mm



NTN Bearing Manufacturing

Fillet Radius/Chamfer	1 mm
r1	0.5 mm
Snap Ring Width	1.1 mm
Snap Ring Outside Diameter	130.7 mm
D1 (max)	122.6 mm
a (max)	2.1 mm
b (min)	1.3 mm
Dynamic Load Rating	19,600 N
Static Load Rating	21,200 N
Limiting Speed - Grease	4,800 rpm
Limiting Speed - Oil	5,600 rpm
Factor fo	16.0
Radial Clearance	0.012 to 0.036 mm
da (min)	105 mm
Da (max)	120 mm
Dx (min)	132 mm
ra (max)	1 mm
Cy (max)	2.9 mm