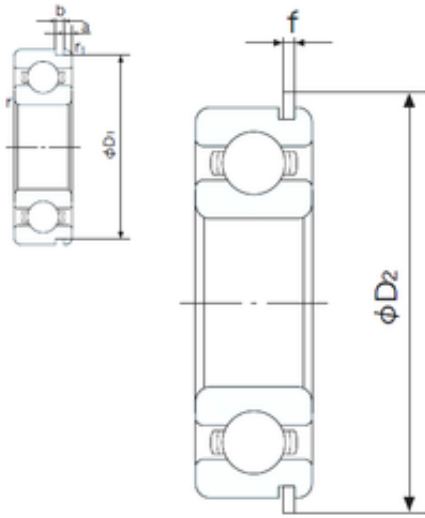




NTN Bearing Manufacturing



50 mm x 110 mm x 27 mm NACHI 6310NR
deep groove ball bearings

Bearing No. 6310NR

6310NR Bearing 2D drawings and 3D CAD models

| | |
|-------------------------------|---------------|
| Size | 50x110x27 mm |
| Bore Diameter | 50 mm |
| Outer Diameter | 110 mm |
| Width | 27 mm |
| d | 50 mm |
| D | 110 mm |
| B | 27 mm |
| C | 27 mm |
| a | 3.28 mm |
| b | 2.7 mm |
| f | 2.46 mm |
| r min. | 2 mm |
| r1 min. | 0.5 mm |
| D1 | 106.81 mm |
| D2 | 116.6 mm |
| Weight | 1.07 Kg |
| Basic dynamic load rating (C) | 62 kN |
| Basic static load rating (C0) | 38,1 kN |
| (Grease) Lubrication Speed | 6200 r/min |
| Category | Ball Bearings |
| Inventory | 2.0 |
| Manufacturer Name | NACHI |
| Minimum Buy Quantity | N/A |
| UNSPSC | 31171504 |
| Weight / Kilogram | 1.071 |



NTN Bearing Manufacturing

| | |
|----------------------------|---------------------------------|
| EAN | 4991893783506 |
| Product Group | B00308 |
| Bore Type | Cylindrical Bore |
| Configuration | Single Row |
| Enclosure | Snap Ring Groove with Snap Ring |
| Bore Size | 50 mm |
| Outside Diameter | 110 mm |
| Width | 27 mm |
| Fillet Radius/Chamfer | 2 mm |
| r1 | 0.5 mm |
| Snap Ring Width | 2.5 mm |
| Snap Ring Outside Diameter | 116.6 mm |
| D1 (max) | 106.8 mm |
| a (max) | 3.3 mm |
| b (min) | 2.7 mm |
| Dynamic Load Rating | 62,000 N |
| Static Load Rating | 38,100 N |
| Limiting Speed - Grease | 6,400 rpm |
| Limiting Speed - Oil | 7,500 rpm |
| Factor fo | 13.1 |
| Radial Clearance | 0.006 to 0.023 mm |
| da (min) | 60 mm |
| Da (max) | 100 mm |
| Dx (min) | 118 mm |
| ra (max) | 2 mm |
| Cy (max) | 5.4 mm |