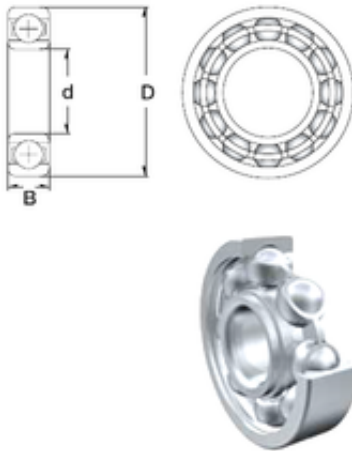




# NTN Bearing Manufacturing

1,5 mm x 4 mm x 2 mm ZEN S681X-2Z deep groove ball bearings



Bearing No. S681X-2Z

Size	1.5x4x2 mm
Bore Diameter	1,5 mm
Outer Diameter	4 mm
Width	2 mm
d	1,5 mm
D	4 mm
B	2 mm
C	2 mm
Basic dynamic load rating (C)	0,112 kN
Basic static load rating (C0)	0,033 kN

S681X-2Z Bearing 2D drawings and 3D CAD models