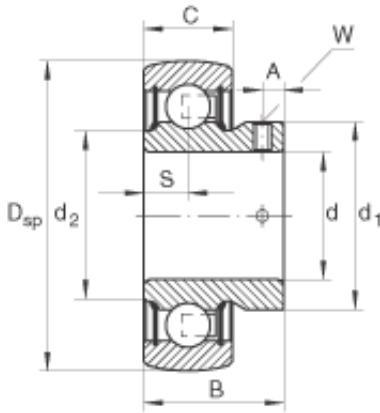




# NTN Bearing Manufacturing

## INA AY12-NPP-B deep groove ball bearings



Bearing No. AY12-NPP-B

AY12-NPP-B Bearing 2D drawings and 3D CAD models

Size	12x40x22 mm
Bore Diameter	12 mm
Outer Diameter	40 mm
Width	22 mm
d	12 mm
D <sub>SP</sub>	40 mm
B	22 mm
A	4 mm
C	12 mm
d <sub>1</sub>	23,9 mm
d <sub>2</sub>	22,9 mm
S	6 mm
W	2,5 mm
m	0,1 kg / Weight
C <sub>r</sub>	10100 N / Dynamic load rating (radial)
C <sub>0r</sub>	4750 N / Static load rating (radial)
Category	Insert Bearings Spherical OD
Inventory	0.0
Manufacturer Name	SCHAEFFLER GROUP
Minimum Buy Quantity	N/A
Weight / Kilogram	0.12
EAN	4012802807929
Product Group	M06110
Inner Race Profile	Narrow Inner Ring



## NTN Bearing Manufacturing

Outer Race Profile	Spherical
Relubricatable	No
Seal Type	Double Lip Contact
Mounting Method	Set Screw
Rolling Element	Ball Bearing
Snap Ring	No
Long Description	12MM Bore; Narrow Inner Ring; Ball Bearing; 22MM Length Thru Bore; 12MM Outer Race Width; 40MM Outside Diameter; Not Relubricatable; Double Lip Contact Seal; Set Screw Mounting Method; No Snap Ring
Inch - Metric	Metric
Other Features	Single Row   Grub Screw   Corrotect Coating   Metric
Category	Insert Bearings
UNSPSC	31171536
Harmonized Tariff Code	8482.10.50.00
Noun	Bearing
Keyword String	Insert
Manufacturer URL	<a href="http://www.ina.com">http://www.ina.com</a>
Manufacturer Item Number	AY12NPPB
Weight / LBS	0.22
Outer Race Width	0.472 Inch   12 Millimeter
Length Thru Bore	0.866 Inch   22 Millimeter
Bore	0.472 Inch   12 Millimeter
Outside Diameter	1.575 Inch   40 Millimeter