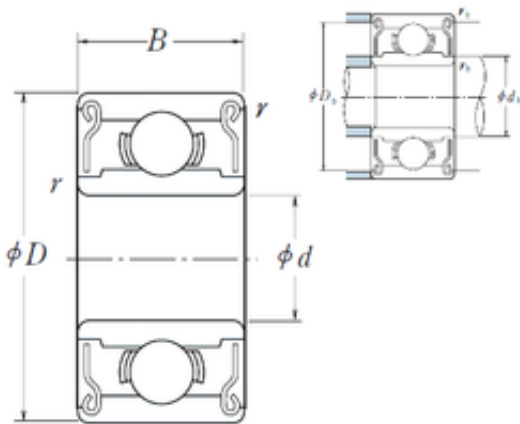




# NTN Bearing Manufacturing

9 mm x 26 mm x 8 mm ISO 629ZZ deep groove ball bearings

Bearing No. 629ZZ



629ZZ Bearing 2D drawings and 3D CAD models

Size	9x26x8 mm
Bore Diameter	9 mm
Outer Diameter	26 mm
Width	8 mm
d	9 mm
D	26 mm
B	8 mm
C	8 mm
r min.	0,6 mm