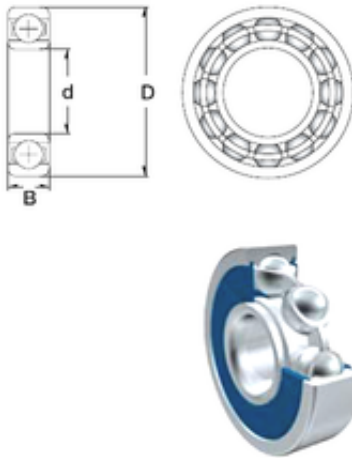




# NTN Bearing Manufacturing



40 mm x 68 mm x 15 mm ZEN 6008-2RS deep groove ball bearings

Bearing No. 6008-2RS

Size	40x68x15 mm
Bore Diameter	40 mm
Outer Diameter	68 mm
Width	15 mm
d	40 mm
D	68 mm
B	15 mm
C	15 mm
Weight	0,19 Kg
Basic dynamic load rating (C)	16,8 kN
Basic static load rating (C0)	11,5 kN

6008-2RS Bearing 2D drawings and 3D CAD models