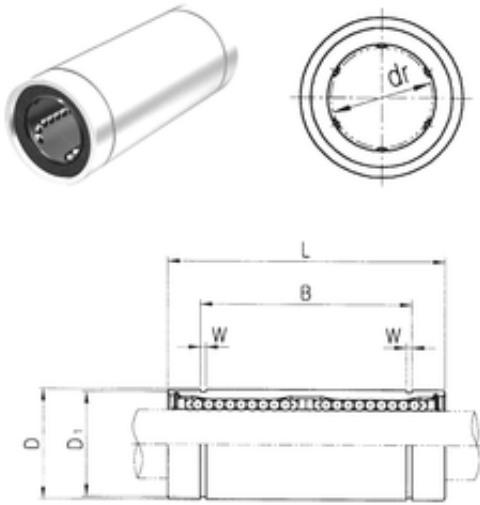




# NTN Bearing Manufacturing



16 mm x 26 mm x 49,8 mm Samick LME16L  
linear bearings

Bearing No. LME16L

Size	16x26x49.8 mm
Bore Diameter	16 mm
Outer Diameter	26 mm
Width	49,8 mm
d	16 mm
D	26 mm
B	49,8 mm
D1	24,9 mm
L	70 mm
W	1,3 mm
Weight	0,145 Kg
Basic dynamic load rating (C)	1,23 kN

LME16L Bearing 2D drawings and 3D CAD models