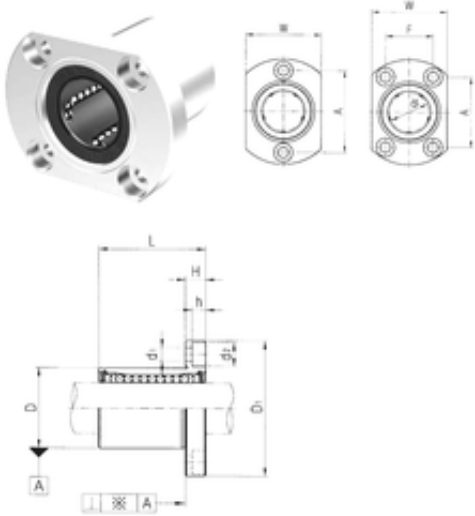




NTN Bearing Manufacturing



LMH6 Bearing 2D drawings and 3D CAD models

Samick LMH6 linear bearings

Bearing No. LMH6

Bore Diameter	6 mm
Outer Diameter	12 mm
d	6 mm
D	12 mm
d1	3,4 mm
d2	6,5 mm
h	3,3 mm
A	20 mm
D1	28 mm
H	5 mm
L	19 mm
W	18 mm
Tolerance perpendicularity (C)	12
Weight	0,027 Kg
Basic dynamic load rating (C)	0,2 kN