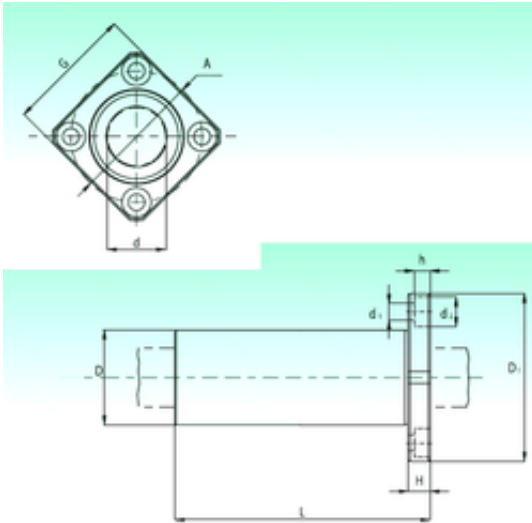




NTN Bearing Manufacturing



KBKL 30-PP Bearing 2D drawings and 3D CAD models

NBS KBKL 30-PP linear bearings

Bearing No. KBKL 30-PP

Bore Diameter	30 mm
Outer Diameter	47 mm
d	30 mm
D	47 mm
d1	6,6 mm
d2	11 mm
h	6,5 mm
A	62 mm
D1	76 mm
G	60 mm
H	10 mm
L	123 mm
Weight	0,575 Kg
Basic dynamic load rating (C)	2,49 kN