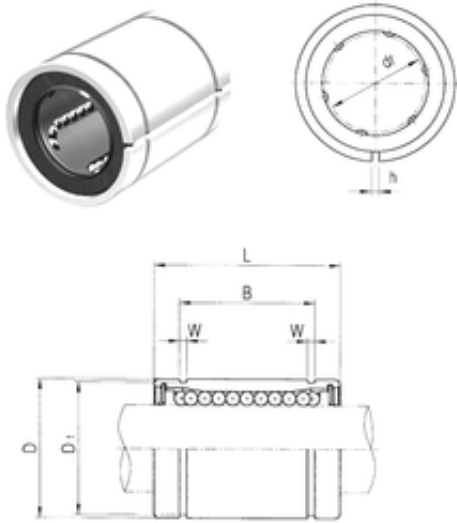




## NTN Bearing Manufacturing



20 mm x 32 mm x 31,5 mm Samick  
LME20UUAJ linear bearings

Bearing No. LME20UUAJ

Size	20x32x31.5 mm
Bore Diameter	20 mm
Outer Diameter	32 mm
Width	31,5 mm
d	20 mm
D	32 mm
h	2 mm
B	31,5 mm
D1	30,3 mm
L	45 mm
W	1,6 mm
Weight	0,091 Kg
Basic dynamic load rating (C)	0,86 kN

LME20UUAJ Bearing 2D drawings and 3D CAD models