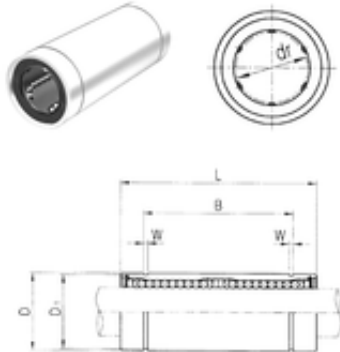




NTN Bearing Manufacturing

60 mm x 90 mm x 170 mm Samick LM60LUU linear bearings



Bearing No. LM60LUU

Size	60x90x170 mm
Bore Diameter	60 mm
Outer Diameter	90 mm
Width	170 mm
d	60 mm
D	90 mm
B	170 mm
D1	86,5 mm
L	211 mm
W	3,15 mm
Weight	3,5 Kg
Basic dynamic load rating (C)	7,65 kN

LM60LUU Bearing 2D drawings and 3D CAD models