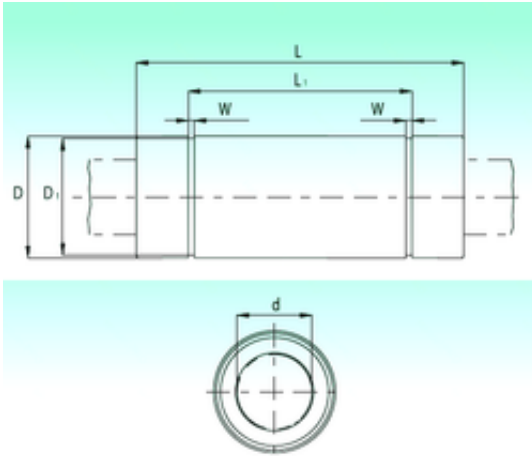




# NTN Bearing Manufacturing



KBL60211 Bearing 2D drawings and 3D CAD models

## NBS KBL60211 linear bearings

Bearing No. KBL60211

|                               |         |
|-------------------------------|---------|
| Bore Diameter                 | 60 mm   |
| Outer Diameter                | 90 mm   |
| d                             | 60 mm   |
| D                             | 90 mm   |
| D1                            | 86,5 mm |
| L1                            | 170 mm  |
| W                             | 3,15 mm |
| L                             | 209 mm  |
| Weight                        | 3,5 Kg  |
| Basic dynamic load rating (C) | 7,65 kN |