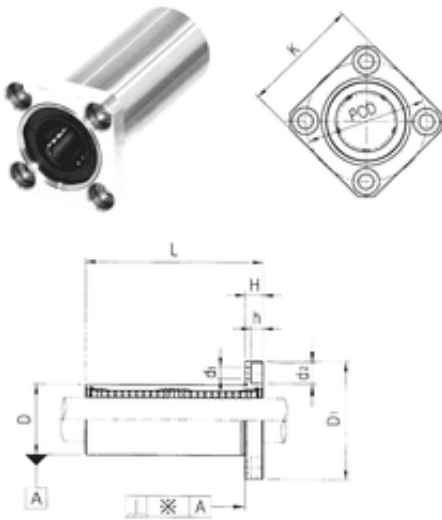




NTN Bearing Manufacturing



LMEK16L Bearing 2D drawings and 3D CAD models

Samick LMEK16L linear bearings

Bearing No. LMEK16L

Bore Diameter	16 mm
Outer Diameter	26 mm
d	16 mm
D	26 mm
K	4,5 mm
d1	8 mm
d2	4,4 mm
h	35 mm
D1	46 mm
H	6 mm
L	70 mm
PCD	36 mm
Tolerance perpendicularity (C)	15
Weight	0,187 Kg
Basic dynamic load rating (C)	1230 kN