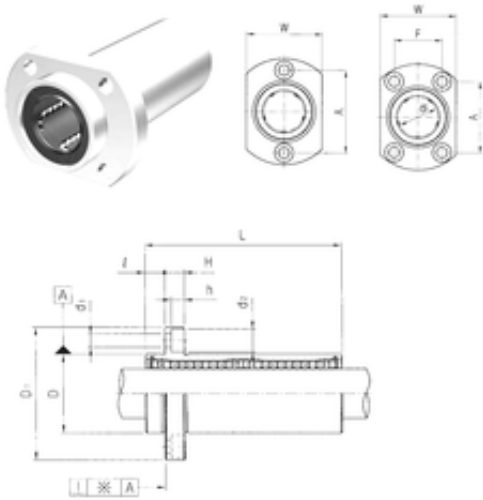




# NTN Bearing Manufacturing



LMHP16L Bearing 2D drawings and 3D CAD models

## Samick LMHP16L linear bearings

Bearing No. LMHP16L

Bore Diameter	16 mm
Outer Diameter	28 mm
d	16 mm
D	28 mm
d1	4,5 mm
d2	8 mm
h	4,4 mm
A	31 mm
D1	48 mm
F	22 mm
H	6 mm
L	70 mm
W	34 mm
	6 Tolerance h14
Tolerance perpendicularity (C)	15
Weight	0,187 Kg
Basic dynamic load rating (C)	1,23 kN