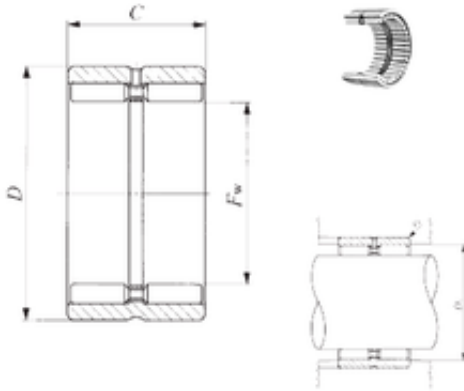




NTN Bearing Manufacturing

IKO GBR 263516 needle roller bearings



Bearing No. GBR 263516

Size	41.275x55.562x25.4 mm
Bore Diameter	41,275 mm
Outer Diameter	55,562 mm
Width	25,4 mm
Fw	41,275 mm
D	55,562 mm
C	25,4 mm
Da max.	50,5 mm
ra max.	0,6 mm
Weight	0,18 Kg
Basic dynamic load rating (C)	56,6 kN
Basic static load rating (C0)	105 kN

GBR 263516 Bearing 2D drawings and 3D CAD models