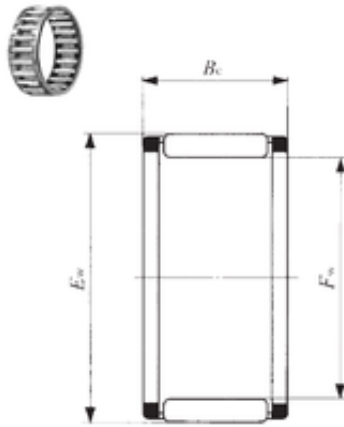




NTN Bearing Manufacturing

IKO KT 101310 needle roller bearings



Bearing No. KT 101310

Bore Diameter	10 mm
Outer Diameter	13 mm
Fw	10 mm
Ew	13 mm
Bc	10 mm
Weight	0,0023 Kg
Basic dynamic load rating (C)	4,16 kN
Basic static load rating (C0)	4,55 kN

KT 101310 Bearing 2D drawings and 3D CAD models