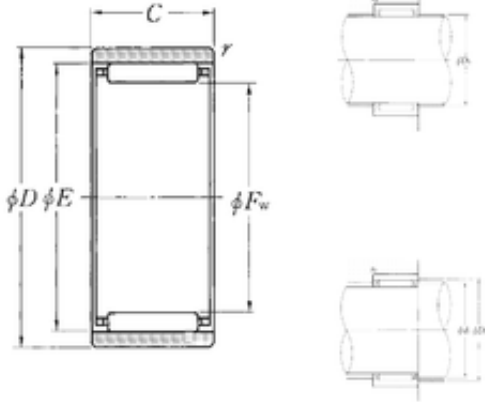




NTN Bearing Manufacturing

NTN RNAO-28 × 40 × 16 needle roller bearings

Bearing No. RNAO-28 × 40 × 16



RNAO-28 × 40 × 16 Bearing 2D drawings and 3D CAD models

Size	28x35x16 mm
Bore Diameter	28 mm
Outer Diameter	35 mm
Width	16 mm
Fw	28 mm
D	40 mm
E	35 mm
C	16 mm
r min.	0,3 mm
Da max.	38 mm
db	34,4 mm
ra max.	0,3 mm
Db	28,6 mm
Weight	0,061 Kg
Basic dynamic load rating (C)	21,2 kN
Basic static load rating (C0)	28,4 kN
(Grease) Lubrication Speed	9 500 r/min