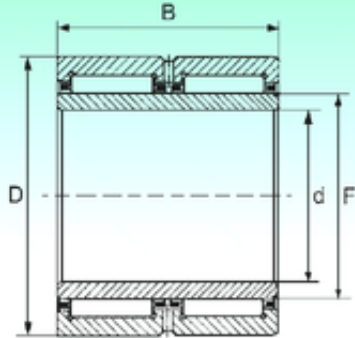




NTN Bearing Manufacturing

NBS NA 6910 ZW needle roller bearings

Bearing No. NA 6910 ZW



Size	50x72x40 mm
Bore Diameter	50 mm
Outer Diameter	72 mm
Width	40 mm
d	50 mm
Fw	58 mm
D	72 mm
C	40 mm
Weight	0,515 Kg
Basic dynamic load rating (C)	69,35 kN
Basic static load rating (C0)	132 kN

NA 6910 ZW Bearing 2D drawings and 3D CAD models