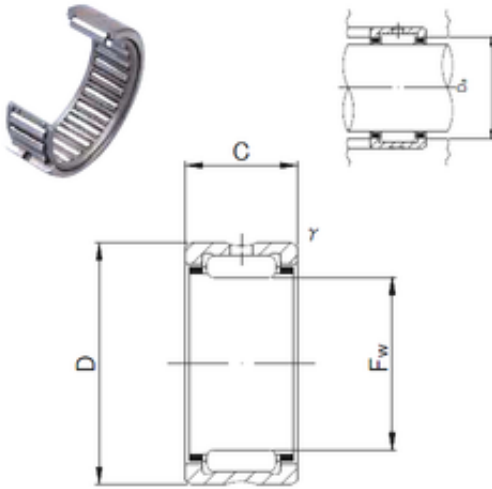




NTN Bearing Manufacturing



JNS RNA 4910 needle roller bearings

Bearing No. RNA 4910

Size	58x72x22 mm
Bore Diameter	58 mm
Outer Diameter	72 mm
Width	22 mm
Fw	58 mm
D	72 mm
C	22 mm
r min.	0,6 mm
Da max.	68 mm
Weight	0,179 Kg
Basic dynamic load rating (C)	46,2 kN
Basic static load rating (C0)	82,1 kN

RNA 4910 Bearing 2D drawings and 3D CAD models