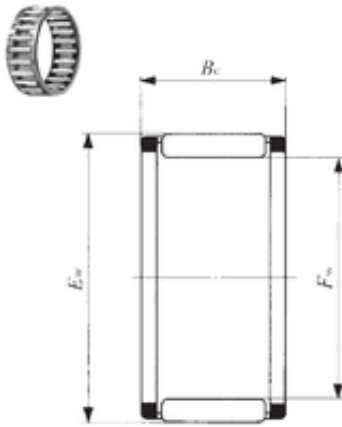




# NTN Bearing Manufacturing



## IKO KT 303723 needle roller bearings

Bearing No. KT 303723

Bore Diameter	30 mm
Outer Diameter	37 mm
Fw	30 mm
Ew	37 mm
Bc	23 mm
Weight	0,0395 Kg
Basic dynamic load rating (C)	28,5 kN
Basic static load rating (C0)	42,5 kN
Category	Needle Non Thrust Roller Bearings
Inventory	0.0
Manufacturer Name	IKO
Minimum Buy Quantity	N/A
Weight / Kilogram	0.04
EAN	4549557035111
Product Group	B04144
Rolling Element	Needle Roller Bearing
Component	Roller Assembly Only
Enclosure	Not Applicable
Self Aligning	No
Retainer	Yes
Number of Rows of Rollers	Single Row
Separable	No
Closed End	Not Applicable
Inch - Metric	Metric
Thrust Bearing	No

KT 303723 Bearing 2D drawings and 3D CAD models



## NTN Bearing Manufacturing

Long Description	30MM Bore; 37MM Outside Diameter; 23MM Width; Needle Roller Bearing; Roller Assembly Only; Not Self Aligning; Retainer; Single Row of Rollers; Not Separable
Other Features	C3 Clearance
Category	Needle Non Thrust Roller Bearing
UNSPSC	31171512
Harmonized Tariff Code	8482.99.65.30
Noun	Roller Assembly
Keyword String	Bearing Needle
Manufacturer URL	<a href="http://www.ikont.com">http://www.ikont.com</a>
Manufacturer Item Number	KT303723C3
Weight / LBS	0.087
Bore	1.181 Inch   30 Millimeter
Width	0.906 Inch   23 Millimeter
Outside Diameter	1.457 Inch   37 Millimeter