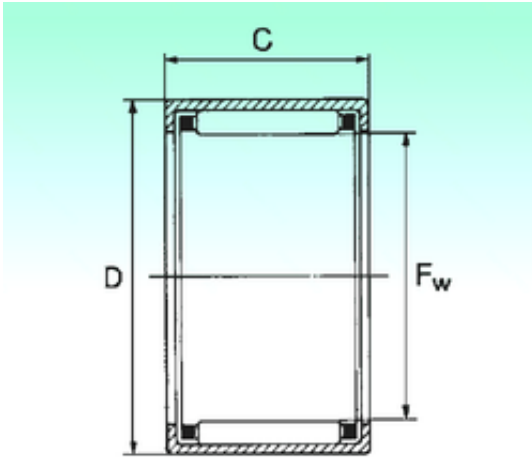




NTN Bearing Manufacturing



HK 1816 Bearing 2D drawings and 3D CAD models

NBS HK 1816 needle roller bearings

Bearing No. HK 1816

Size	18x24x16 mm
Bore Diameter	18 mm
Outer Diameter	24 mm
Width	16 mm
Fw	18 mm
D	24 mm
C	16 mm
Weight	0,0175 Kg
Basic dynamic load rating (C)	11 kN
Basic static load rating (C0)	16,4 kN