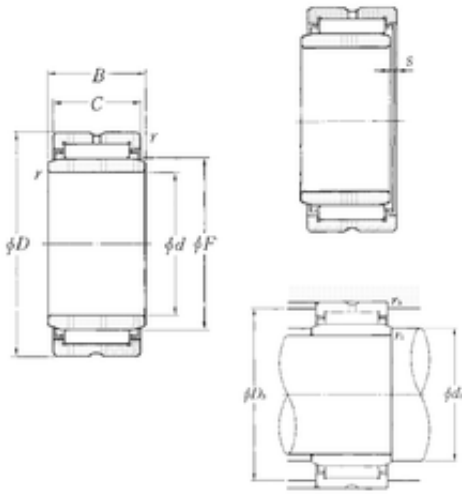




NTN Bearing Manufacturing

76,2 mm x 114,3 mm x 44,7 mm NTN
MR567228+MI-485628 needle roller bearings



Bearing No. MR567228+MI-485628

Size	76.2x114.3x44.7 mm
Bore Diameter	76,2 mm
Outer Diameter	114,3 mm
Width	44,7 mm
d	76,2 mm
F	88,9 mm
D	114,3 mm
B	44,7 mm
C	44,45 mm
r min.	2 mm
s	3 mm
da min.	84 mm
Da max.	106,5 mm
ra max.	2 mm
Weight	1,65 Kg
Basic dynamic load rating (C)	141 kN
Basic static load rating (C0)	264 kN
(Grease) Lubrication Speed	3 000 r/min

MR567228+MI-485628 Bearing 2D drawings and 3D CAD models