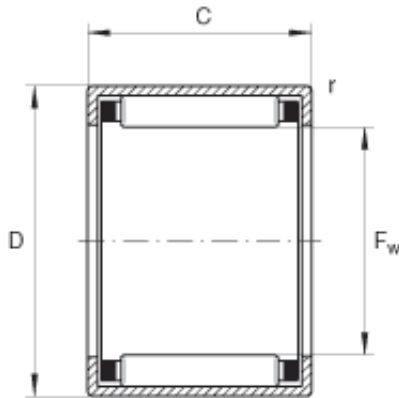




NTN Bearing Manufacturing



INA HK3022 needle roller bearings

Bearing No. HK3022

Size	30x37x22 mm
Bore Diameter	30 mm
Outer Diameter	37 mm
Width	22 mm
F_w	30 mm
D	37 mm
C - 22 mm / Tolerance: -0,3	22 mm / Tolerance: 0,3
r_{min}	0,8 mm
m	42 g / Weight
C_r	24800 N / Dynamic load rating (radial)
C_{0r}	46000 N / Static load rating (radial)
C_{ur}	6100 N / Fatigue limit load, radial
n_G	8600 1/min / Limiting speed
n_B	5900 1/min / Reference speed
Category	Bearings
Inventory	0.0
Manufacturer Name	SCHAEFFLER GROUP
Minimum Buy Quantity	N/A
Weight / Kilogram	0.044
Product Group	B04144

HK3022 Bearing 2D drawings and 3D CAD models