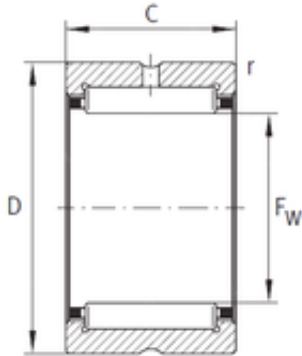




NTN Bearing Manufacturing

INA NK 8/12-TN-XL needle roller bearings



Bearing No. NK 8/12-TN-XL

Size	8x15x12 mm
Bore Diameter	8 mm
Outer Diameter	15 mm
Width	12 mm
F _w	8 mm
D	15 mm
C	12 mm
r min.	0,3 mm
Weight	0,0087 Kg
Basic dynamic load rating (C)	4,45 kN
Basic static load rating (C ₀)	4,1 kN
Fatigue load limit (P _u)	0,69
Reference speed	43 000 r/min

NK 8/12-TN-XL Bearing 2D drawings and 3D CAD models