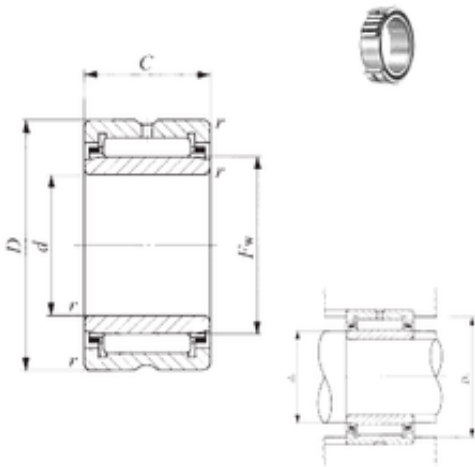




NTN Bearing Manufacturing

9 mm x 19 mm x 16 mm IKO TAFI 91916 needle roller bearings



Bearing No. TAFI 91916

Size	9x19x16 mm
Bore Diameter	9 mm
Outer Diameter	19 mm
Width	16 mm
d	9 mm
Fw	12 mm
D	19 mm
B	16 mm
C	16 mm
r min.	0,3 mm
da min.	11 mm
da max	11,5 mm
Da max.	17 mm
S	0,5 mm
Weight	0,0225 Kg
Basic dynamic load rating (C)	9,25 kN
Basic static load rating (C0)	11,2 kN

TAFI 91916 Bearing 2D drawings and 3D CAD models