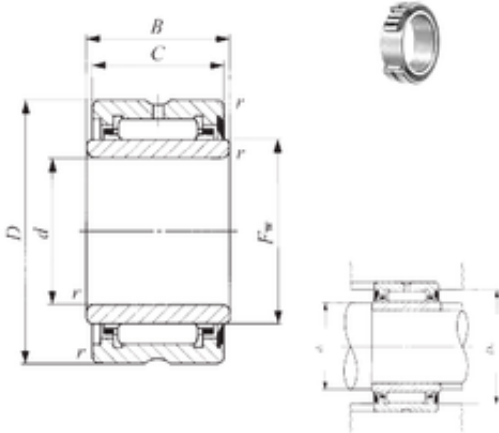




NTN Bearing Manufacturing

25 mm x 42 mm x 18 mm IKO NA 4905U needle roller bearings



Bearing No. NA 4905U

Size	25x42x18 mm
Bore Diameter	25 mm
Outer Diameter	42 mm
Width	18 mm
d	25 mm
Fw	30 mm
D	42 mm
B	18 mm
C	17 mm
r min.	0,3 mm
da min.	27 mm
da max	29 mm
Da max.	40 mm
Weight	0,0875 Kg
Basic dynamic load rating (C)	20,3 kN
Basic static load rating (C0)	25,1 kN

NA 4905U Bearing 2D drawings and 3D CAD models