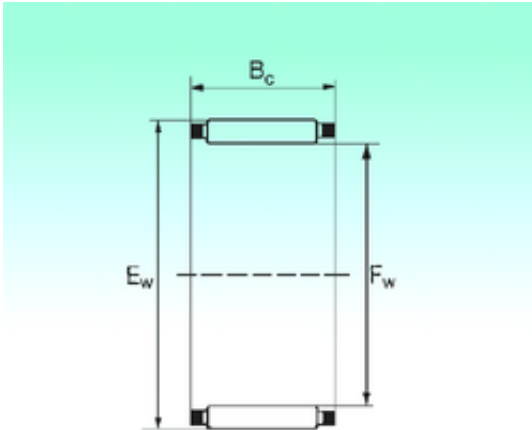




# NTN Bearing Manufacturing



## NBS K 30x37x18 needle roller bearings

Bearing No. K 30x37x18

Bore Diameter	30 mm
Outer Diameter	37 mm
Fw	30 mm
Ew	37 mm
Bc	18 mm
Weight	0,034 Kg
Basic dynamic load rating (C)	25,5 kN
Basic static load rating (C0)	38 kN

K 30x37x18 Bearing 2D drawings and 3D CAD models