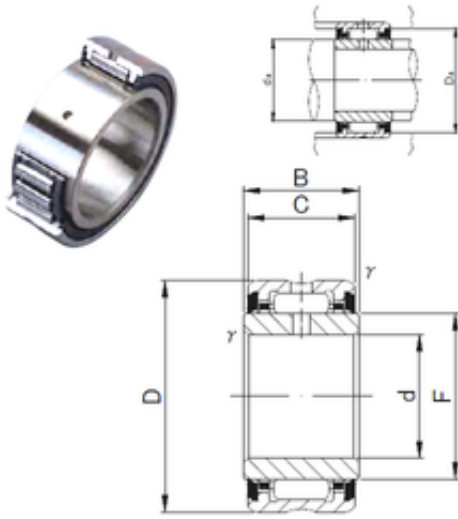




# NTN Bearing Manufacturing



10 mm x 22 mm x 14 mm JNS NA 4900UU  
needle roller bearings

Bearing No. NA 4900UU

Size	10x22x14 mm
Bore Diameter	10 mm
Outer Diameter	22 mm
Width	14 mm
d	10 mm
F	14 mm
D	22 mm
B	14 mm
C	13 mm
r min.	0,3 mm
da min.	12 mm
da max	13 mm
Da max.	20 mm
Weight	0,025 Kg
Basic dynamic load rating (C)	8 kN
Basic static load rating (C0)	8,5 kN

NA 4900UU Bearing 2D drawings and 3D CAD models