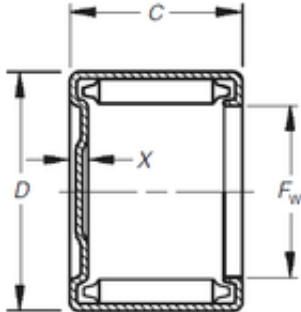




NTN Bearing Manufacturing

Timken M-661 needle roller bearings



Bearing No. M-661

Size	9.525x14.288x9.53 mm
Bore Diameter	9,525 mm
Outer Diameter	14,288 mm
Width	9,53 mm
F _w	9,525 mm
D	14,288 mm
C	9,53 mm
C1	2,03 mm
Weight	0,005 Kg
Basic dynamic load rating (C)	5,83 kN
Basic static load rating (C0)	7,61 kN
(Grease) Lubrication Speed	4600 r/min

M-661 Bearing 2D drawings and 3D CAD models