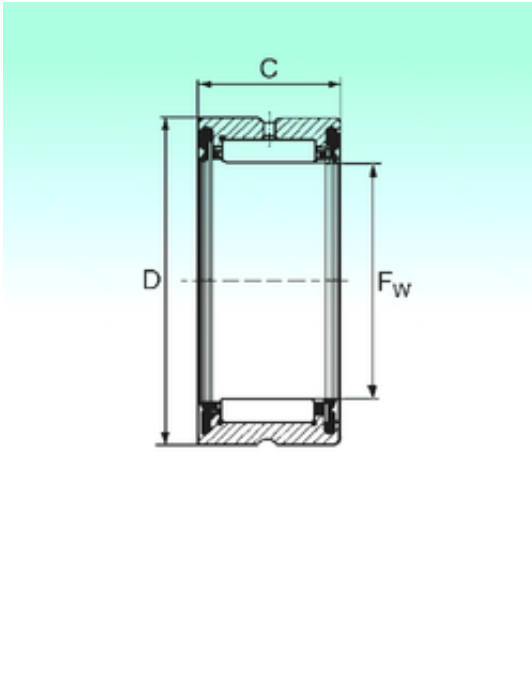




# NTN Bearing Manufacturing



## NBS RNA 4902 2RS needle roller bearings

Bearing No. RNA 4902 2RS

Size	20x28x13 mm
Bore Diameter	20 mm
Outer Diameter	28 mm
Width	13 mm
Fw	20 mm
D	28 mm
C	13 mm
Weight	0,0215 Kg
Basic dynamic load rating (C)	8,17 kN
Basic static load rating (C0)	9,78 kN

RNA 4902 2RS Bearing 2D drawings and 3D CAD models