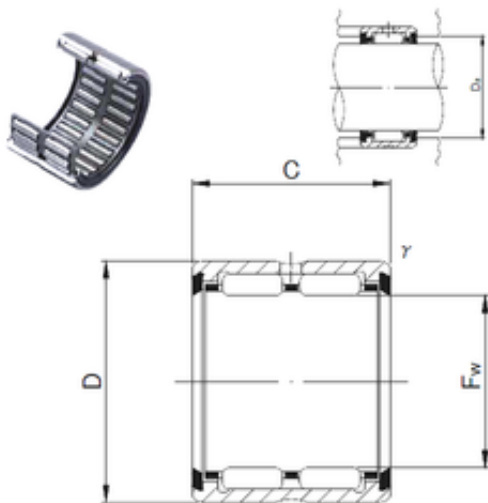




NTN Bearing Manufacturing



JNS RNA 6908UU needle roller bearings

Bearing No. RNA 6908UU

Size	48x62x40 mm
Bore Diameter	48 mm
Outer Diameter	62 mm
Width	40 mm
Fw	48 mm
D	62 mm
C	40 mm
r min.	0,6 mm
Da max.	58 mm
Weight	0,27 Kg
Basic dynamic load rating (C)	63,7 kN
Basic static load rating (C0)	116,7 kN

RNA 6908UU Bearing 2D drawings and 3D CAD models