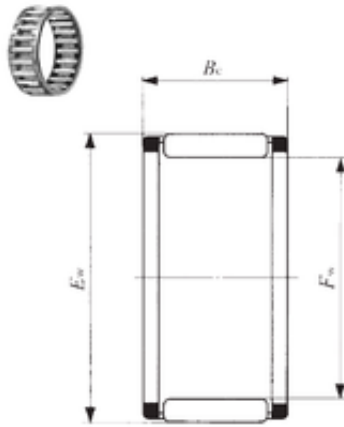




NTN Bearing Manufacturing



IKO KT 162120 needle roller bearings

Bearing No. KT 162120

Bore Diameter	16 mm
Outer Diameter	21 mm
Fw	16 mm
Ew	21 mm
Bc	20 mm
Weight	0,0136 Kg
Basic dynamic load rating (C)	14,7 kN
Basic static load rating (C0)	18,9 kN
Category	Needle Non Thrust Roller Bearings
Inventory	0.0
Manufacturer Name	IKO
Minimum Buy Quantity	N/A
Weight / Kilogram	0.01
EAN	4549557034169
Product Group	B04144
Rolling Element	Needle Roller Bearing
Component	Roller Assembly Only
Enclosure	Not Applicable
Self Aligning	No
Retainer	Yes
Number of Rows of Rollers	Single Row
Separable	No
Closed End	Not Applicable
Inch - Metric	Metric
Thrust Bearing	No

KT 162120 Bearing 2D drawings and 3D CAD models



NTN Bearing Manufacturing

Long Description	16MM Bore; 21MM Outside Diameter; 20MM Width; Needle Roller Bearing; Roller Assembly Only; Not Self Aligning; Retainer; Single Row of Rollers; Not Separable
Other Features	C3 Clearance
Category	Needle Non Thrust Roller Bearing
UNSPSC	31171512
Harmonized Tariff Code	8482.99.65.30
Noun	Roller Assembly
Keyword String	Bearing Needle
Manufacturer URL	http://www.ikont.com
Manufacturer Item Number	KT162120C3
Weight / LBS	0.03
Outside Diameter	0.827 Inch 21 Millimeter
Width	0.787 Inch 20 Millimeter
Bore	0.63 Inch 16 Millimeter