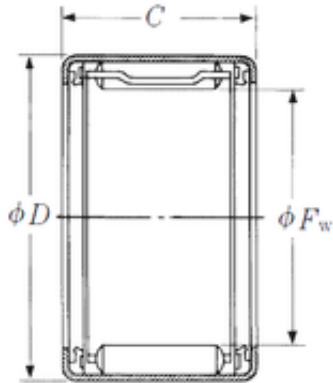




# NTN Bearing Manufacturing

## NSK FJTT-2220 needle roller bearings



Bearing No. FJTT-2220

Size	22x28x20 mm
Bore Diameter	22 mm
Outer Diameter	28 mm
Width	20 mm
Fw	22 mm
D	28 mm
C	20 mm
Weight	0,023 Kg
Basic dynamic load rating (C)	12,6 kN

FJTT-2220 Bearing 2D drawings and 3D CAD models