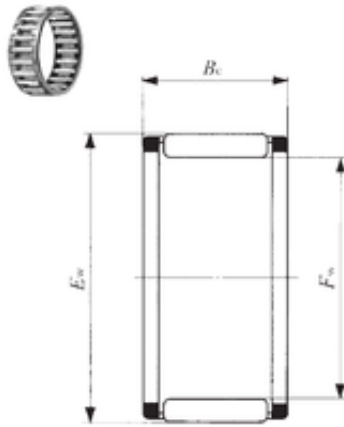




NTN Bearing Manufacturing



IKO KT 253116 needle roller bearings

Bearing No. KT 253116

Bore Diameter	25 mm
Outer Diameter	31 mm
Fw	25 mm
Ew	31 mm
Bc	16 mm
Weight	0,0196 Kg
Basic dynamic load rating (C)	17,8 kN
Basic static load rating (C0)	24,4 kN
Category	Needle Non Thrust Roller Bearings
Inventory	0.0
Manufacturer Name	IKO
Minimum Buy Quantity	N/A
Weight / Kilogram	0.02
EAN	4549557034831
Product Group	B04144
Rolling Element	Needle Roller Bearing
Component	Roller Assembly Only
Enclosure	Not Applicable
Self Aligning	No
Retainer	Yes
Number of Rows of Rollers	Single Row
Separable	No
Closed End	Not Applicable
Inch - Metric	Metric
Thrust Bearing	No

KT 253116 Bearing 2D drawings and 3D CAD models



NTN Bearing Manufacturing

Long Description	25MM Bore; 31MM Outside Diameter; 16MM Width; Needle Roller Bearing; Roller Assembly Only; Not Self Aligning; Retainer; Single Row of Rollers; Not Separable
Other Features	C3 Clearance
Category	Needle Non Thrust Roller Bearing
UNSPSC	31171512
Harmonized Tariff Code	8482.99.65.30
Noun	Roller Assembly
Keyword String	Bearing Needle
Manufacturer URL	http://www.ikont.com
Manufacturer Item Number	KT253116C3
Weight / LBS	0.043
Width	0.63 Inch 16 Millimeter
Outside Diameter	1.22 Inch 31 Millimeter
Bore	0.984 Inch 25 Millimeter