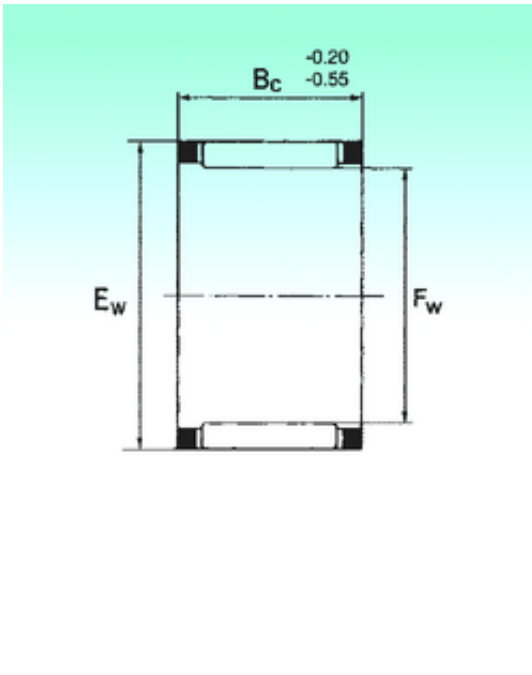




NTN Bearing Manufacturing



NBS KZK 16x21x10 needle roller bearings

Bearing No. KZK 16x21x10

Bore Diameter	16 mm
Outer Diameter	21 mm
Fw	16 mm
Ew	21 mm
Bc	10 mm
Weight	0,0058 Kg
Basic dynamic load rating (C)	8,8 kN
Basic static load rating (C0)	9,8 kN

KZK 16x21x10 Bearing 2D drawings and 3D CAD models