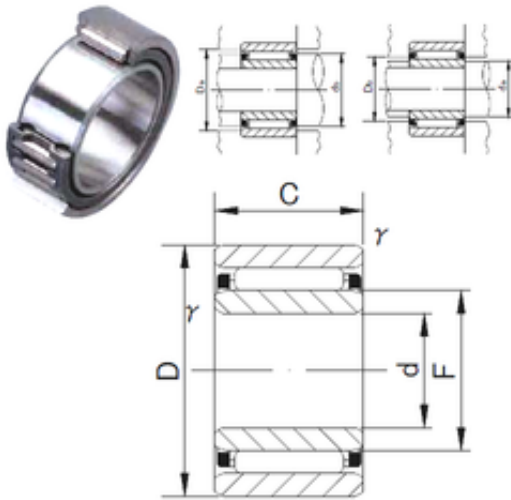




## NTN Bearing Manufacturing



50 mm x 68 mm x 20 mm JNS NAF 506820  
needle roller bearings

Bearing No. NAF 506820

Size	50x68x20 mm
Bore Diameter	50 mm
Outer Diameter	68 mm
Width	20 mm
d	50 mm
F	55 mm
D	68 mm
B	20 mm
C	20 mm
r min.	0,6 mm
da min.	54 mm
da max	54,5 mm
Da max.	64 mm
db	59,5 mm
Db	55,8 mm
Weight	0,23 Kg
Basic dynamic load rating (C)	28,5 kN
Basic static load rating (C0)	66 kN

NAF 506820 Bearing 2D drawings and 3D CAD models