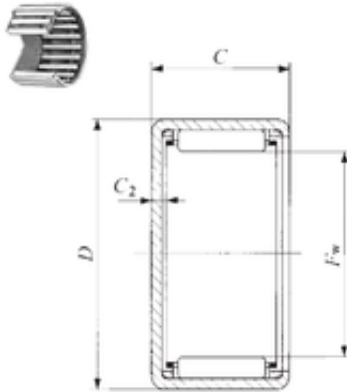




NTN Bearing Manufacturing

IKO BHAM 910 needle roller bearings



Bearing No. BHAM 910

Size	14.288x20.638x15.88 mm
Bore Diameter	14,288 mm
Outer Diameter	20,638 mm
Width	15,88 mm
Fw	14,288 mm
D	20,638 mm
C	15,88 mm
C2	1,3 mm
Weight	0,0147 Kg
Basic dynamic load rating (C)	9,28 kN
Basic static load rating (C0)	11,9 kN

BHAM 910 Bearing 2D drawings and 3D CAD models