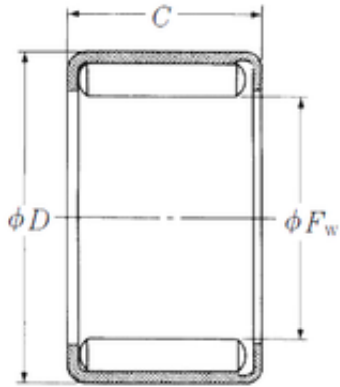




# NTN Bearing Manufacturing

## NSK Y-138 needle roller bearings



Bearing No. Y-138

Size	20.638x26.988x12.7 mm
Bore Diameter	20,638 mm
Outer Diameter	26,988 mm
Width	12,7 mm
Fw	20,638 mm
D	26,988 mm
C	12,7 mm
Weight	0,019 Kg
Basic dynamic load rating (C)	15,5 kN

Y-138 Bearing 2D drawings and 3D CAD models