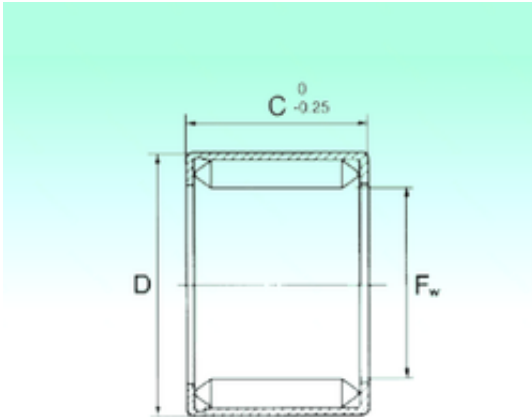




# NTN Bearing Manufacturing



HN1816 Bearing 2D drawings and 3D CAD models

## NBS HN1816 needle roller bearings

Bearing No. HN1816

Size	18x24x16 mm
Bore Diameter	18 mm
Outer Diameter	24 mm
Width	16 mm
Fw	18 mm
D	24 mm
C	16 mm
r min.	0,8 mm
Weight	0,02 Kg
Basic dynamic load rating (C)	17 kN
Basic static load rating (C0)	32,5 kN