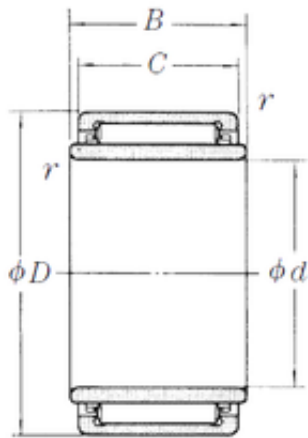




# NTN Bearing Manufacturing



15 mm x 25 mm x 25,2 mm NSK LM1825  
needle roller bearings

Bearing No. LM1825

Size	15x25x25.2 mm
Bore Diameter	15 mm
Outer Diameter	25 mm
Width	25,2 mm
d	15 mm
Fw	18 mm
D	25 mm
B	25,2 mm
C	25 mm
r min.	0,5 mm
Weight	0,047 Kg
Basic dynamic load rating (C)	19 kN
Basic static load rating (C0)	27,3 kN

LM1825 Bearing 2D drawings and 3D CAD models