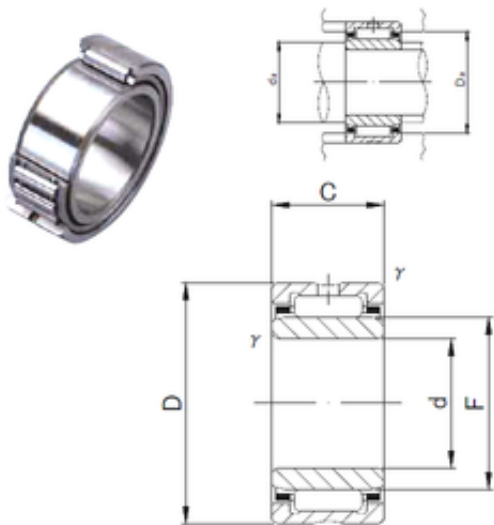




# NTN Bearing Manufacturing



90 mm x 125 mm x 35 mm JNS NA 4918 needle roller bearings

Bearing No. NA 4918

Size	90x125x35 mm
Bore Diameter	90 mm
Outer Diameter	125 mm
Width	35 mm
d	90 mm
F	105 mm
D	125 mm
B	35 mm
C	35 mm
r min.	1,1 mm
da min.	96,5 mm
da max	103 mm
Da max.	118,5 mm
Weight	1,35 Kg
Basic dynamic load rating (C)	112,8 kN
Basic static load rating (C0)	257,9 kN

NA 4918 Bearing 2D drawings and 3D CAD models